

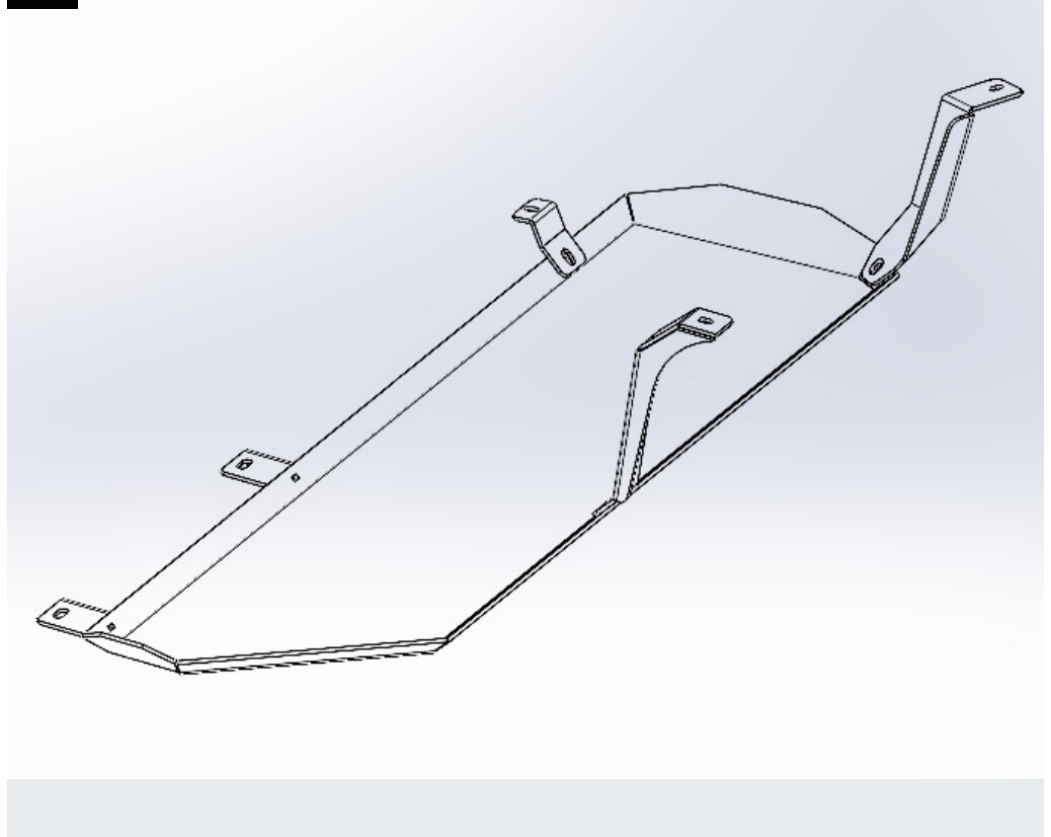


**1**



Included Hardware:(3) 1/2" Button Heads(3) 1/2" Flange Nuts

**2**



Included Part(s):  
(3) Mounting Brackets (1) Gas Tank Skid



3



Start by removing the (3) factory bolts shown above. Be sure to hold onto these as you will be reusing them later.

4



Remove the next factory bolt , as shown above.

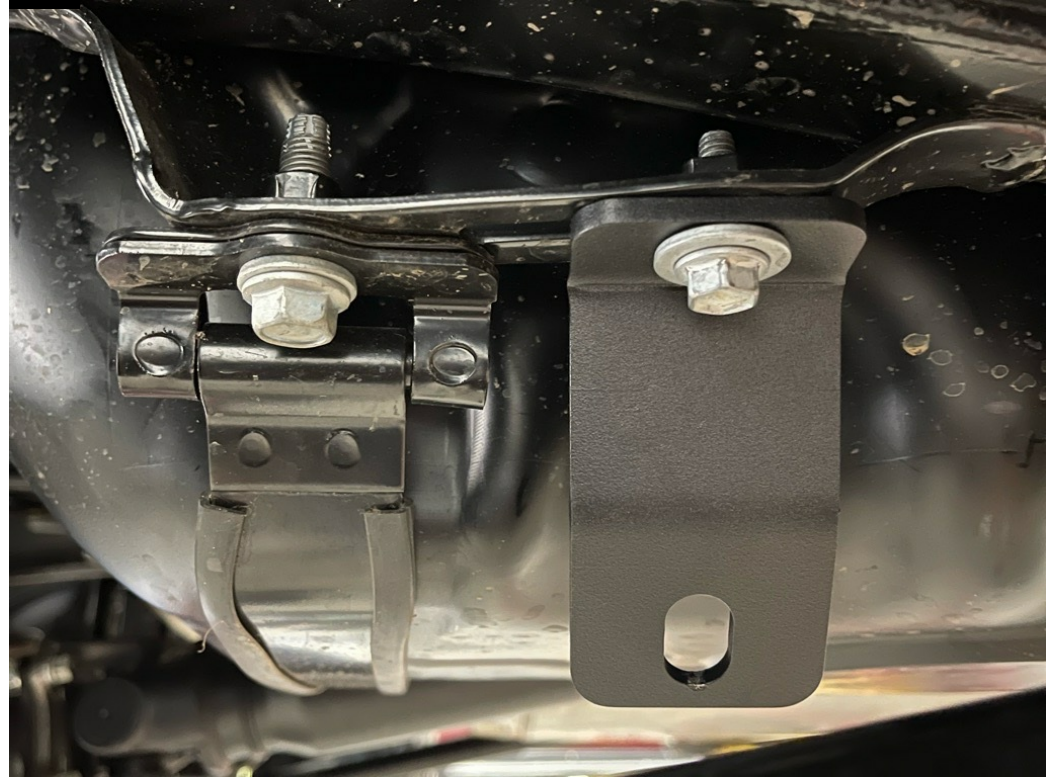


5



Now remove the (5)th and final factory bolt holding in the factory skid. Be sure to be using a jack or have a friend to help, once the bolts are removed the skid is going to want to fall.

6



With the skid out of the way, take one of the factory bolts and the supplied bracket shown above and loosely bolt it into place. Be sure to pay attention to the orientation above.



7



Take the other supplied bracket as shown above and a factory bolt and loosely bolt it into the factory location which it was removed.

8



Take the final provided bracket and a factory bolt and loosely bolt it into the location in the orientation shown above.



9



With all (3) of the brackets in place, jack your skid up into place, as shown above. Before starting all of your bolts, make sure the brackets are on the inside of the skid flange.

10



With the skid lined up with the factory holes, use the factory bolts and loosely thread them into place, as shown above.

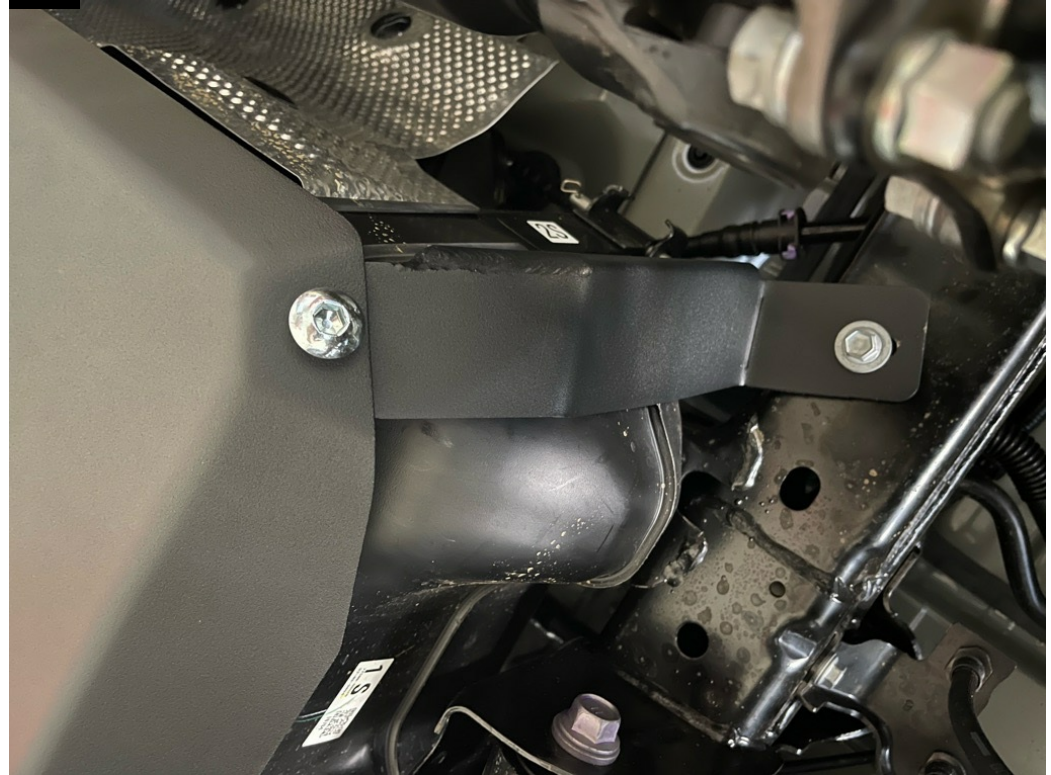


**11**



Use the supplied button head and nut and loosely bolt the bracket to the skid.

**12**



Working your way around the vehicle, take another provided button head and nut and loosely bolt the bracket to the skid.



**13**



Using the last provided button head and nut, loosely bolt the remaining bracket to the skid.

**14**



With all of your hardware started, go around and fully tighten all of your bolts into the vehicle and skid to complete your install.



# Lexus GX550 Gas Tank Skid Installation

Feedback?



15

**Thank you for supporting  
American-made. We hope you  
enjoy your new product!**

If you have any questions or concerns  
please reach out to us.

info@jcroffroad.com  
info@victory4x4.com  
info@squatch-proof.com  
info@fatamericanmfg.com

269-353-1184

